



Properties

- Ø12 mm housing
- 8 mm, non-flush mountable
- DC, 3-wire and 4-wire switching output versions
- Cable and connector versions

Technical Data

For detailed data and product description refer to the data sheets at www.pepperl-fuchs.com

General Data

Rated operating distance	8 mm
Installation	non-flush
Type of voltage	DC
Operating voltage	10 ... 30 V
No-load supply current	≤ 16 mA
Reverse polarity protection	✓
Switching frequency	0 ... 1500 Hz
Operating current	0 ... 200 mA
Short-circuit protection	pulsing
Indication of the switching state	LED, yellow
Housing material	brass, nickel-plated
Protection degree	IP67

Model Number

Switching element function	green = preferred type						
	NPN NO/NC						
	NPN NO	●	●				
	PNP NO/NC			●			●
	PNP NO		●			●	
	Ambient temperature	-25 ... 70 °C (-13 ... 158 °F)	●	●	●	●	●
Connection type	-40 ... 70 °C (-40 ... 158 °F)				●	●	●
	Device connector M12 x 1 , 4-pin cable PVC , 2 m	●	●	●	●	●	●

Approvals and Certificates

UL approval	cULus Listed, General Purpose	●	●	●	●	●	●
CSA approval	cCSAus Listed, General Purpose	●	●	●	●	●	●
CCC approval	Products with a maximum operating voltage of ≤36 V do not bear a CCC marking because they do not require approval.						

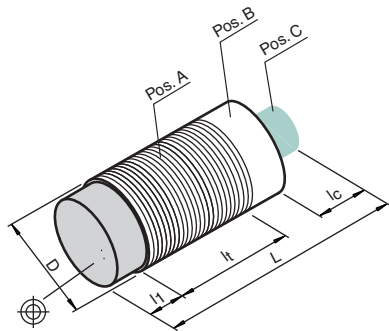
Dimensions

Length L [mm]	50	65
Diameter D [mm]	12	
Thread length l _t [mm]	39	41
Cap length l ₁ [mm]	8	
Connector area l _c [mm]	0	6
LED position	Pos. C	

Accessories

This and more accessories can be found in chapter 10
See pages from 972 ... for cordsets See pages 1068 ... for mounting aids

- BF 12** Mounting flange, 12 mm
- V1-G-BK** 4-pin, M12 female field-attachable connector
- V1-W-BK** 4-pin, M12 female field-attachable connector
- V1-G-2M-PUR** Cable socket, M12, 4-pin, PUR cable
- V1-W-2M-PUR** Cable socket, M12, 4-pin, PUR cable



Electrical Connection

NBN8-12GM50-E0

NBN8-12GM50-A0

NBN8-12GM50-E0-V1

NBN8-12GM50-A0-V1

NBN8-12GM50-E2

NBN8-12GM50-A2

NBN8-12GM50-E2-V1

NBN8-12GM50-A2-V1

Wire colors in accordance with EN 60947-5-2

1	BN	(brown)
2	WH	(white)
3	BU	(blue)
4	BK	(black)